

277V

"VARIABLE SPEED"



**The
Whalen
Company**

Always the perfect fit.™

WVMBE-277 Series

277V, 2-Pipe with Electric Heat

Up to 67,500 BTUH Cooling

0 - 10kW Electric Heat

Upflow / Horizontal



The **WVMBE-277** Series includes a programmable, high efficiency motor that redefines comfort and energy savings. The **WVMBE-277** motor automatically adjusts its torque and speed to maintain a preprogrammed level of constant airflow over a wide range of external static pressures. This variable speed technology offers better indoor air quality, more precise humidity control, quieter operation, consistent indoor air temperature, and lower utility bills.

High Efficiency - At full load conditions the **WVMBE277** motor is 20% more efficient than an induction motor and at constant fan speed it consumes only 60-80 watts of power compared to 400 watts for a standard induction motor.

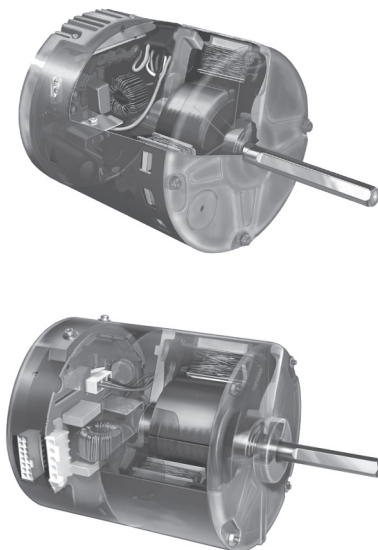
Quiet Operation - The versatile **WVMBE-277** motor quietly "ramps up" when the unit is turned on and "ramps down" when the thermostat is satisfied, eliminating the annoying sounds of changing airflow.

Self-Regulating Constant Airflow - The **WVMBE-277** motor is factory programmed to maintain a predetermined level of airflow over a wide range of external static pressures, ensuring optimum system performance and whole-house comfort. The benefits of constant fan operation are:

- **Consistent air distribution** (and temperature) throughout the home
- **Better indoor air quality** (further improved with the addition of high efficiency filter) - This allows the air to be filtered without excessive drafts and without sacrificing efficiency.
- **Better humidity control** - The **WVMBE-277** is designed to extract much more moisture from the air than a conventional system by slowing the airflow over the cooling coil. The result is an improved summer comfort level at higher indoor temperatures.

Additional Standard Features:

- Factory installed electric heat (0-10kW)
- Upflow / horizontal drain pans
- Higher efficiency pleated filter
- Primary and secondary drain connections on cooling coil
- Fully Insulated cabinet
- Compatible with most properly sized and installed zone control systems.
Contact the zone control manufacturer.
- 277V motor, 24V controls
- High capacity 4-row cooling coil



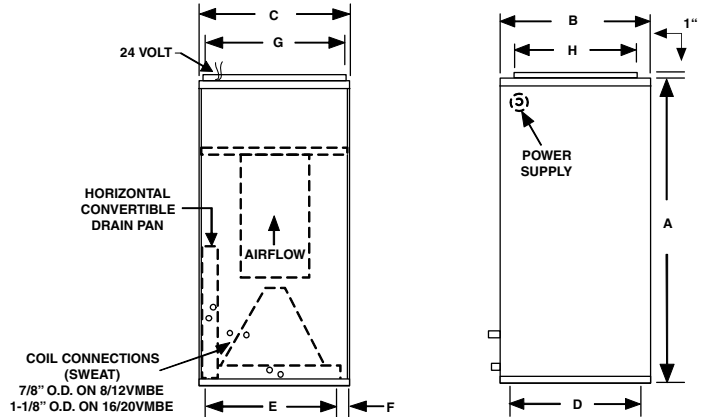
Variable Speed ECM Motor



For additional sales and technical information on variable speed motors, visit www.thedealertools.com

Digital thermostats for these units must have a "C" terminal.

PHYSICAL DIMENSIONS									
UNIT MODEL	A	B	C	D	E	F	G	H	FILTER SIZE
8WVMBE-277	40	20	20	18-1/2	16	2	18	16	18 X 20 X 1
12WVMBE-277	42	23	20	21-1/2	16	2	18	17	20 X 22 X 1
16/20WVMBE-277	48	28	21-1/4	26-1/4	17-1/4	2	19-1/4	18	20 X 25 X 1



AIR FLOW DATA (see "heating select taps" below each table for proper field set-up)													
MODEL	OPERATING MODE	THERMOSTAT TERMINALS			CONTROL BOARD SELECT TAPS								
		"X" ENERGIZED TERMINALS			COOL TAP				HEAT TAP				
		Y1	G	W1	A	B	C	D	A	B	C	D	
8VMBE-277	COOLING	X	X		800	720	600	525					
	CONTINUOUS BLOWER		X		400	360	300	265					
	ELECTRIC HEAT			X					790	730	660	600	
Heating Select Taps A 800 CFM unit with 0 - 10kW electric heat B 800 CFM unit with 0 - 5kW electric heat C 600 CFM unit with 0 - 10kW electric heat D 600 CFM unit with 0 - 5kW electric heat													
12VMBE-277	COOLING	X	X		1200	1050	950	850					
	CONTINUOUS BLOWER		X		600	525	475	425					
	ELECTRIC HEAT			X					1130	1000	875	790	
Heating Select Taps A 1200 CFM unit with 0 - 10kW electric heat B 1200 CFM unit with 0 - 10kW electric heat C 950 CFM unit with 0 - 10kW electric heat D 950 CFM unit with 0 - 5kW electric heat													
16VMBE-277	COOLING	X	X		1600	1400	1250	1100					
	CONTINUOUS BLOWER		X		800	700	625	550					
	ELECTRIC HEAT			X					1500	1360	1190	1060	
Heating Select Taps A 1600 CFM unit with 0 - 10kW electric heat B 1600 CFM unit with 0 - 10kW electric heat C 1250 CFM unit with 0 - 10kW electric heat D 1250 CFM unit with 0 - 10kW electric heat													
20VMBE-277	COOLING	X	X		1825	1700	1600	1400					
	CONTINUOUS BLOWER		X		900	850	800	700					
	ELECTRIC HEAT			X					1825	1700	1500	1300	
Heating Select Taps A 2000 CFM unit with 0 - 10kW electric heat B 2000 CFM unit with 0 - 10kW electric heat C 1600 CFM unit with 10 - 10kW electric heat D 1600 CFM unit with 0 - 10kW electric heat													

Airflow shown are dry coil at 277 volts.
Max. ext. static pressure is 0.50" wtr

- Notes:**
- The cooling and heating speed taps are factory set on "A".
 - The delay profile is factory set on "A" (Arid setting).
 - The adjust profile is factory set on Normal.
 - If humidistat function is activated the cooling CFM will be reduced by 20%.
 - Adjust profile (+) will increase airflow by 10%, while tap (-) will decrease airflow by 10%.

The Whalen Company is committed to continuous product improvement. Prior to manufacturing, the information contained herein is subject to change without notice. Contact us for current design information that may affect your project.



PERFORMANCE DATA - 277V						
UNIT MODEL	kW (@ 277V)	MOTOR AMPS	MOTOR HP	TOTAL AMPS	MIN. CIR. AMPACITY	MAX. CIR. PROTECTION
8WVMBE0-277	0	1.9	1/3	1.9	3	15
8WVMBE3-277	3	1.9	1/3	12.7	16	20
8WVMBE4-277	4	1.9	1/3	16.3	21	25
8WVMBE5-277	5	1.9	1/3	20.0	25	25
8WVMBE6-277	6	1.9	1/3	23.6	30	30
8WVMBE8-277	8	1.9	1/3	30.8	39	40
8WVMBE10-277	10	1.9	1/3	38.0	48	50
12WVMBE0-277	0	3.2	1/2	3.2	4	15
12WVMBE5-277	5	3.2	1/2	21.3	27	30
12WVMBE8-277	8	3.2	1/2	32.0	40	40
12WVMBE10-277	10	3.2	1/2	39.3	50	50
16WVMBE0-277	0	4.8	3/4	4.8	6	15
16WVMBE5-277	5	4.8	3/4	22.9	29	30
16WVMBE8-277	8	4.8	3/4	33.7	43	45
16WVMBE10-277	10	4.8	3/4	40.9	52	60
20WVMBE0-277	0	6.4	1	6.4	8	15
20WVMBE5-277	5	6.4	1	24.5	31	35
20WVMBE8-277	8	6.4	1	35.3	45	45
20WVMBE10-277	10	6.4	1	42.5	54	60

NOTES:

1. Units suitable for installation with 0" clearance to combustible material.

CHILLED WATER COOLING CAPACITY - 4 ROW															
UNIT MODEL	CFM	GPM	P.D. (FT. WTR.)	45°F ENTERING WATER						42°F ENTERING WATER					
				80°F DB/67°F WB ENT. AIR			75°F DB/63°F WB ENT. AIR			80°F DB/67°F WB ENT. AIR			75°F DB/63°F WB ENT. AIR		
				TOTAL MBH	SENS. MBH	TEMP. RISE	TOTAL MBH	SENS. MBH	TEMP. RISE	TOTAL MBH	SENS. MBH	TEMP. RISE	TOTAL MBH	SENS. MBH	TEMP. RISE
8WVMBE-277	600	3.0	2.5	19.0	13.8	12.7	14.5	12.1	9.7	20.7	14.4	13.8	15.8	12.6	10.5
		4.5	5.5	22.4	15.1	9.9	17.1	13.1	7.6	24.4	15.9	10.8	18.6	13.7	8.3
		6.0	9.5	24.4	15.9	8.2	18.7	13.7	6.2	26.6	16.8	8.9	20.3	14.4	6.8
	800	3.5	3.4	23.1	17.3	13.2	17.6	15.2	10.1	25.2	18.1	14.4	19.2	15.8	11.0
		5.0	6.7	26.9	18.7	10.7	20.5	16.3	8.2	29.3	19.6	11.7	22.4	17.1	8.9
		6.5	11.0	29.2	19.6	9.0	22.3	17.0	6.9	31.8	20.6	9.8	24.3	17.8	7.5
12WVMBE-277	1000	4.0	2.4	28.3	21.6	14.1	21.6	19.0	10.8	30.8	22.5	15.4	23.6	19.7	11.8
		6.0	4.8	33.9	23.7	11.3	25.9	20.6	8.6	36.9	24.8	12.3	28.2	21.6	9.4
		8.0	7.9	37.3	25.0	9.3	28.5	21.7	7.1	40.6	26.3	10.2	31.0	22.7	7.8
	1200	5.0	3.5	33.7	25.5	13.5	25.8	22.4	10.3	36.8	26.6	14.7	28.1	23.3	11.3
		6.5	5.5	38.0	27.1	11.7	29.1	23.7	8.9	41.5	28.4	12.8	31.7	24.7	9.7
		8.0	7.9	41.0	28.2	10.3	31.3	24.6	7.8	44.7	29.6	11.2	34.1	25.7	8.5
16WVMBE-277	1400	4.5	2.0	36.2	29.2	16.1	27.7	25.8	12.3	39.5	30.3	17.5	30.1	26.7	13.4
		6.0	3.3	42.4	31.4	14.1	32.4	27.6	10.8	46.2	32.8	15.4	35.3	28.7	11.8
		7.5	4.8	46.9	33.1	12.5	35.8	28.9	9.6	51.1	34.7	13.6	39.0	30.2	10.4
	1600	6.0	3.3	44.2	34.1	14.7	33.8	30.0	11.3	48.2	35.5	16.1	36.8	31.2	12.3
		8.0	5.4	51.0	36.6	12.7	38.9	32.0	9.7	55.5	38.3	13.9	42.4	33.4	10.6
		10.0	7.9	55.7	38.4	11.1	42.5	33.4	8.5	60.7	40.3	12.1	46.3	34.9	9.3
20WVMBE-277	1600	6.5	3.8	46.1	34.8	14.2	35.2	30.6	10.8	50.3	36.3	15.5	38.4	31.8	11.8
		8.5	6.0	52.3	37.1	12.3	39.9	32.4	9.4	57.0	38.8	13.4	43.5	33.8	10.2
		10.5	8.6	46.6	38.7	10.8	43.2	33.7	8.2	61.7	40.7	11.8	47.1	35.2	9.0
	2000	7.0	4.3	52.4	40.9	15.0	40.0	36.1	11.4	57.1	42.6	16.3	43.6	37.4	12.5
		10.0	7.9	61.7	44.3	12.3	47.1	38.8	9.4	67.3	46.4	13.5	51.4	40.5	10.3
		13.0	12.5	67.5	46.5	10.4	51.6	40.5	7.9	73.6	48.8	11.3	56.2	42.4	8.6

NOTE:

1. All cooling coils have four rows.
2. Contact factory for capacities at other conditions.



The Whalen Company
Always the perfect fit.™

ACCESSORIES:		
Programmable Thermostat		
Part Number	Description	For
T832	Touchscreen, 7-day programmable, with humidity control	All Models



T832

NOTE: Contact factory for brochure

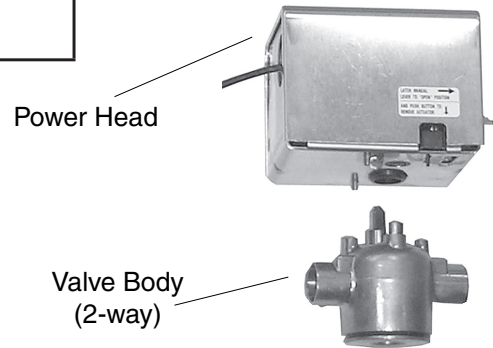
ACCESSORIES: (for chilled water coil)	
Power Heads:	
E50131180	24V
Separate Valve Bodies: (order power heads separately) (mount outside cabinet)	
E421317	3/4" 2-way - For 8-12WVMBE-277
E431317	3/4" 3-way - For 8-12WVMBE-277
E421417	1" 2-way - For 16-20WVMBE-277
E431417	1" 3-way - For 16-20WVMBE-277
Hand Valves: (Combination balance / shut-off) (2 usually req'd per coil)	
CP90	For 8-12WVMBE-277
CP905	For 16-20WVMBE-277

NOTE:

1. Power head leads are 18".



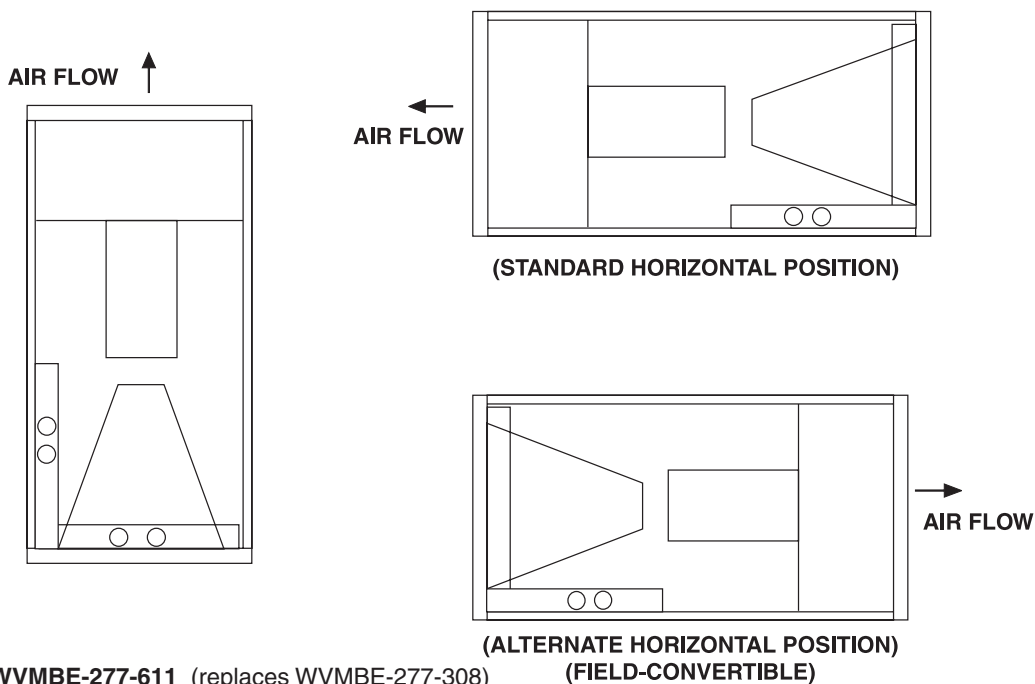
CP905



Power Head

Valve Body
(2-way)

3-WAY AIRFLOW



Catalog No. WVMBE-277-611 (replaces WVMBE-277-308)