



Inteli-therm™ Vertical Stack Fan Coil with Slide-Out Coil Pack

VERTICAL STACK, VALVELESS FOUR-PIPE FAN COIL UNITS

The days of limited – or no – access to the valve package in a fan coil unit are over! If you're involved in projects like hotels, apartments, condominiums, senior living centers, college dormitories or others that have tight spaces, then the Inteli-therm™ Vertical Stack Fan Coil is the smart choice. And they're available only from The Whalen Company.

When you specify an Inteli-therm™ Vertical Stack Fan Coil unit with a slide-out coil pack, you also get the advantage of an integrated thermal recovery unit to take advantage of modern building codes and the increasing outside air requirements. Moreover, since the Inteli-therm™ unit ships completely assembled, there is less field work required. With customization capabilities including riser locations, handing and discharge arrangements and sizes, it means that your new Whalen units will be installed and operating in significantly less time.



Inteli-therm™ Vertical Stack Fan Coil Unit Performance

Model	CFM	GPM	3-Row Cooling Capacity			
			Coil Rows	EWT (°F)	TC (Btu/hr)	SC (Btu/hr)
W(T, N) X-03	350	2.1	3	45	10,100	7,300
W(T, N) X-04	450	3.1	3	45	14,500	9,800
W(T, N) X-06	700	4.2	3	45	19,700	14,300
W(T, N) X-08	758	5.0	3	45	22,700	14,600

Cooling based upon 80°F DB, 67°F WB entering air temperature

Model	CFM	GPM	Heating Capacity			
			Coil Rows	EWT (°F)	TC (Btu/hr)	SC (Btu/hr)
W(T, N) X03	345	2.5	4	45	12,700	9,000
W(T, N) X04	440	3.3	4	45	16,100	10,800
W(T, N) X-06	650	4.4	4	45	20,600	14,200
W(T, N) X-08	753	5.6	4	45	26,300	18,100

Heating based upon 70°F DB entering air temperature

General Data

	W(T, N)X03	W(T, N)X-04	W(T, N)X06	W(T, N)X-08
Operating Weight - Cabinet (lbs.)	260	260	260	260
Operating Weight - Coil Pack - 3-Row Coil (lbs.)	25	25	43	43
Operating Weight - Coil Pack - 4-Row Coil (lbs.)	30	30	48	48
Shipping Weight (lbs.) - Cabinet	147	147	165	165
Shipping Weight (lbs.) - Coil Pack - 3-Row Coil	14	20	26	33
Shipping Weight (lbs.) - Coil Pack - 4-Row Coil	19	25	31	38
Filter Size (in.)	13 x 24 x 1	13 x 24 x 1	15 x 28 x 1	15 x 28 x 1
Filter Quantity	1	1	1	1

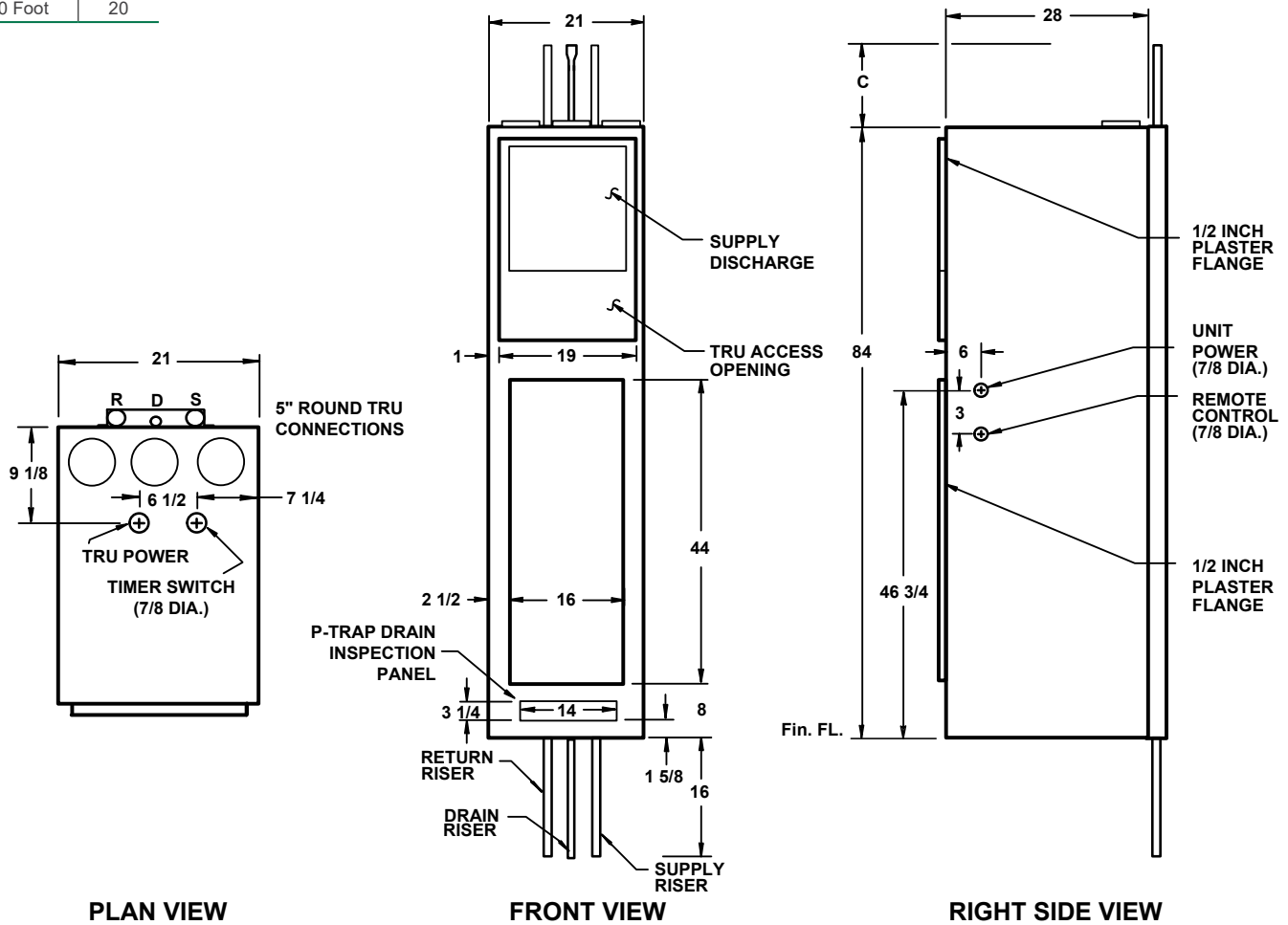
Inteli-therm™ Vertical Stack Fan Coil with Slide-Out Coil Pack

Inteli-therm™ Cabinet Dimensions

	W(T, N)X-03	W(T, N)X-04	W(T, N)X-06	W(T, N)X-08
Width (in.)	21	21	21	21
Depth (in.)	28	28	28	28
Height (in.)	84	84	84	84

All dimension in inches

Riser Length	C
9 Foot	8
10 Foot	20



P.O. Box 1390 • Easton, MD 21601 USA
whalencompany.com

Inteli-therm is a trademark of The Whalen Company. ©2014 The Whalen Company. All rights reserved.



WL074 rev. 11-19