



# Whisperline®

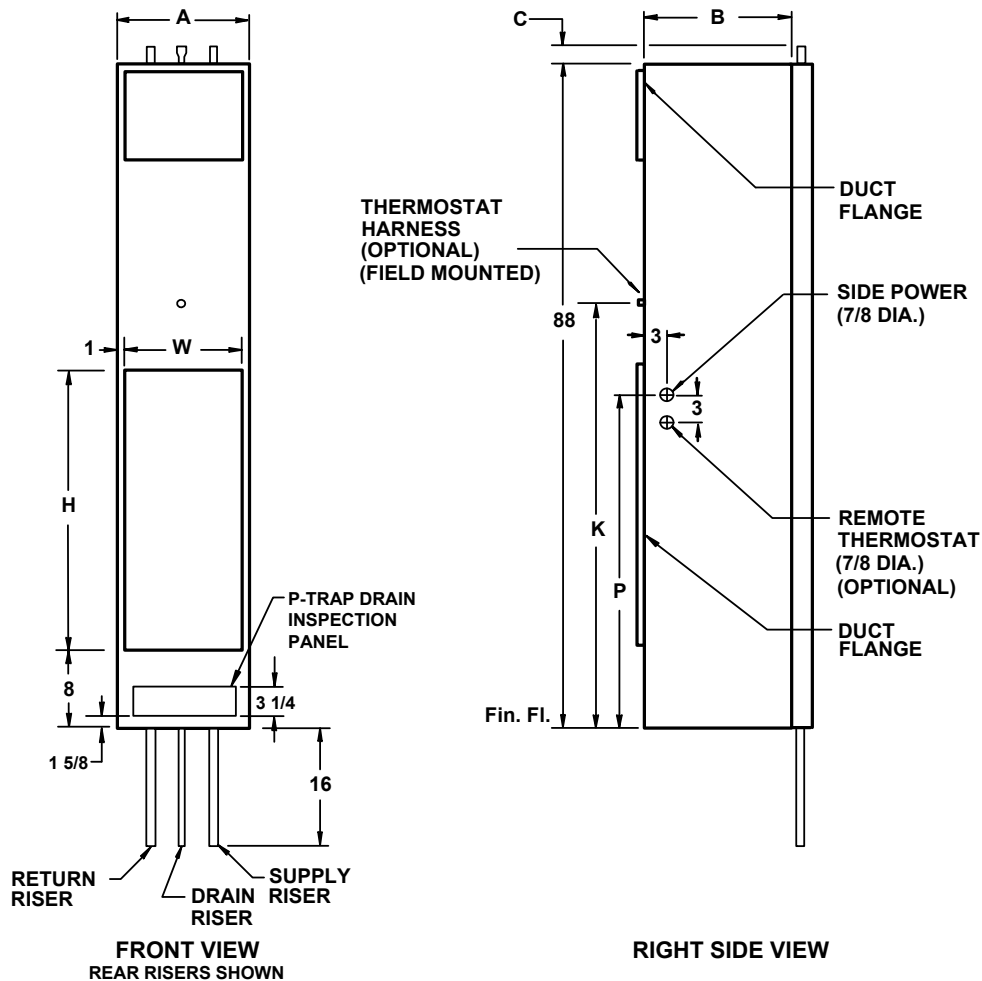
## Cabinet Dimensions

Model	A	B	W	H	K	P
0204-**C	16	17	14	44	58	48
0304-**C	16	17	14	44	58	48
0404-**C	16	17	14	44	58	48
0504-**C	18	20	16	44	58	48
0604-**C	18	20	16	44	58	48
0804-**C	18	20	16	44	58	48
0814-**C	20	22	18	54	68	59
1004-**C	20	22	18	54	68	59
1204-**C	20	22	18	54	68	59

All dimensions in inches

Riser Length	C
9 Foot	4
10 Foot	16

## Whisperline® Units with Internal Drain Rear Risers



P.O. Box 1390 • Easton, MD 21601 USA  
whalencompany.com

