

## INTEGRATED THERMAL RECOVERY UNIT

Whispertherm® brings together Whalen's field-proven Whisperline® product with the means to deliver freshly-conditioned outdoor air. The Whispertherm® integrated thermal recovery unit benefits the environmentally conscious owner by efficiently introducing the outdoor air into the occupied space. Rather than directly discarding exhaust air from the occupied space, its energy is transferred to the incoming fresh air. Less energy is required to bring this fresh air to the indoor conditions.

True to our commitment to offer flexible products that meet the design of the building rather than forcing conformity around product limitations, the Whispertherm® unit may be applied to a variety of building designs. When combined with our Whisperline® product line, an efficient reverse cycle heat pump effectively conditions the occupied space year-round.



### Whisperline® Water Source Heat Pump Capacities

Model	CFM	GPM	Water Loop Heat Pump				Ground Loop Heat Pump			
			Cooling 86°F		Heating 68°F		Cooling 77°F		Heating 32°F	
			Capacity Btuh	EER Btuh / W	Capacity Btuh	COP	Capacity Btuh	EER Btuh / W	Capacity Btuh	COP
V(T,N)-A-0204*G	280	1.5	6,200	13.2	8,000	5.3	6,600	14.2	4,600	3.2
V(T,N)-A-0304*G	340	2.5	9,300	14.4	11,500	5.4	9,650	15.4	6,850	3.3
V(T,N)-A-0404*G	440	3.3	12,000	14.0	14,500	5.2	12,700	16.0	9,400	3.3
V(T,N)-A-0504*G	540	3.9	15,000	16.1	18,200	5.5	15,500	17.0	10,800	3.2
V(T,N)-A-0604*G	655	4.5	18,200	15.2	21,600	5.1	19,000	16.2	13,000	3.3
V(T,N)-A-0804*D	830	6.0	23,000	13.1	30,000	5.0	25,000	14.5	19,000	3.2

Cooling based upon 80.6°F DB, 66.2°F WB entering air temperature

Heating based upon 68°F DB, 59°F WB entering air temperature

Performance based upon 208/60/1 voltage

### Chassis General Data

	V(T,N)-A-0204	V(T,N)-A-0304	V(T,N)-A-0404	V(T,N)-A-0504	V(T,N)-A-0604	V(T,N)-A-0804
Compressor Type (208-230/60/1)	Rotary	Rotary	Rotary	Rotary	Rotary	Rotary
Compressor Type (265/60/1)	Rotary	Rotary	Rotary	Rotary	Rotary	Scroll
Compressor Quantity	1	1	1	1	1	1
Whisperline® Chassis Operating Weight (lbs.)	79	81	83	122	123	132
Cabinet Operating Weight (lbs.)	260	260	260	260	260	260
Whisperline® Chassis Shipping Weight (lbs.)	85	87	89	128	129	138
Cabinet Shipping Weight (lbs.)	272	272	272	272	272	272
Filter Size	13 x 24 1	13 x 24 1	13 x 24 x 1	15 x 28 x 1	15 x 28 x 1	15 x 28 x 1
Filter Quantity	1	1	1	1	1	1

# Whispertherm® with Whisperline® Chassis

## Electrical Data - Constant Torque EC Motor

Size (Tons)	Voltage	Compressor			Supply Blower Motor		Minimum Circuit Ampacity	MOPD
		RLA	LRA	QTY	FLA	HP		
0204 (0.50)	208-60-1	2.5	17.7	1	2.2	1/4	5.3	15
	230-60-1	2.5	17.7	1	2.2	1/4	5.3	15
	265-60-1	2.6	13.5	1	2.2	1/4	5.5	15
0304 (0.75)	208-60-1	5.1	22.0	1	2.2	1/4	8.6	15
	230-60-1	5.1	22.0	1	2.2	1/4	8.6	15
	265-60-1	4.5	22.0	1	2.2	1/4	7.8	15
0404 (1.00)	208-60-1	6.4	25.0	1	2.2	1/4	10.2	15
	230-60-1	6.4	25.0	1	2.2	1/4	10.2	15
	265-60-1	5.1	22.0	1	2.2	1/4	8.6	15
0504 (1.25)	208-60-1	4.8	26.0	1	2.2	1/4	8.2	15
	230-60-1	4.8	26.0	1	2.2	1/4	8.2	15
	265-60-1	4.2	25.0	1	2.2	1/4	7.4	15
0604 (1.50)	208-60-1	7.7	38.0	1	2.2	1/4	11.8	15
	230-60-1	7.7	38.0	1	2.2	1/4	11.8	15
	265-60-1	7.1	30.0	1	2.2	1/4	11.0	15
0804 (2.00)	208-60-1	10.3	43.0	1	4.6	1/2	17.4	25
	230-60-1	10.3	43.0	1	4.6	1/2	17.4	25
	265-60-1	8.3	54.0	1	3.2	1/2	13.6	20

## Electrical Data - Constant Volume EC Motor

Size (Tons)	Voltage	Compressor			Supply Blower Motor		Minimum Circuit Ampacity	MOPD
		RLA	LRA	QTY	FLA	HP		
0404 (1.00)	208-60-1	6.4	25.0	1	2.7	1/3	10.7	15
	230-60-1	6.4	25.0	1	2.7	1/3	10.7	15
	265-60-1	5.1	22.0	1	3.2	1/2	9.6	15
0504 (1.25)	208-60-1	4.8	26.0	1	2.7	1/3	8.7	15
	230-60-1	4.8	26.0	1	2.7	1/3	8.7	15
	265-60-1	4.2	25.0	1	3.2	1/2	8.4	15
0604 (1.50)	208-60-1	7.7	38.0	1	2.7	1/3	12.3	20
	230-60-1	7.7	38.0	1	2.7	1/3	12.3	20
	265-60-1	7.1	30.0	1	3.2	1/2	12.0	15
0804 (2.00)	208-60-1	10.3	43.0	1	3.9	1/2	16.7	25
	230-60-1	10.3	43.0	1	3.9	1/2	16.7	25
	265-60-1	8.3	54.0	1	3.2	1/2	13.6	20

## TRU Electrical Data

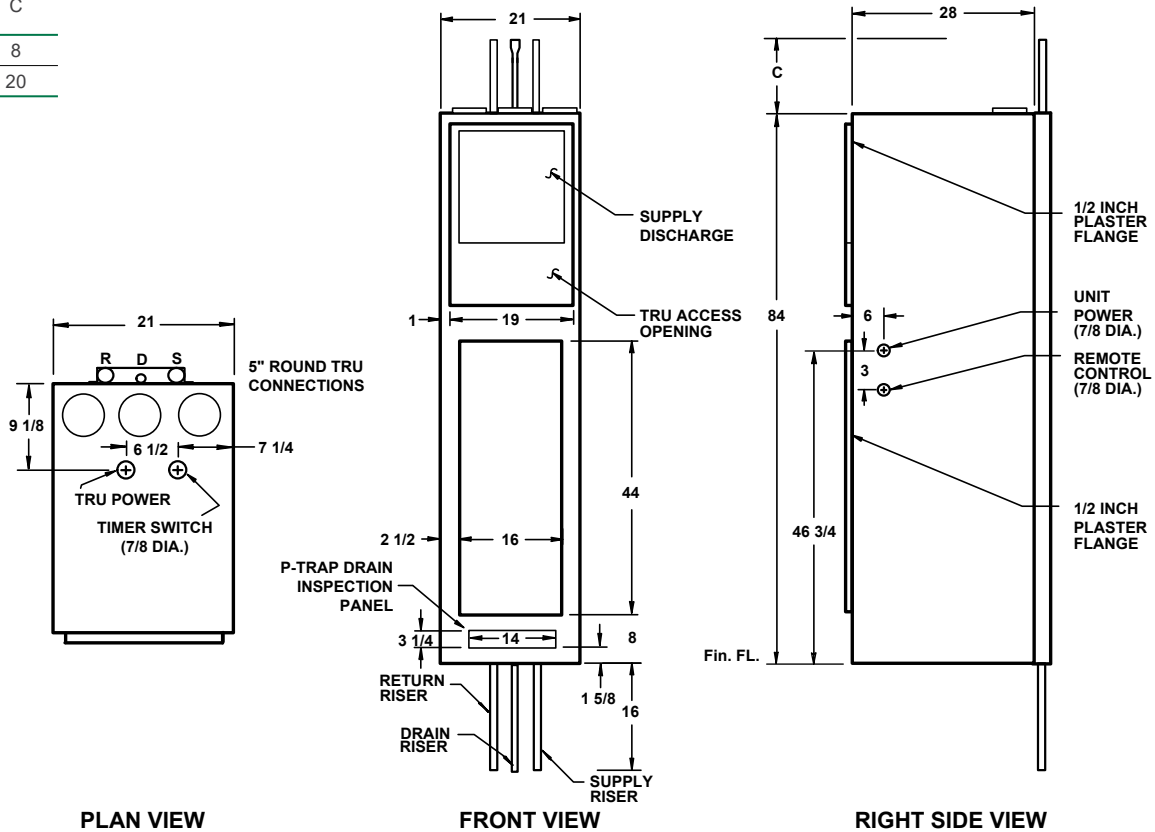
Nameplate Voltage (V)	Nameplate FLA (A)	Minimum Circuit Ampacity (A)	MOPD (A)
120	1.54	1.54	15

## Cabinet Dimensions

	V(T,N)-A-0204	V(T,N)-A-0304	V(T,N)-A-0404	V(T,N)-A-0504	V(T,N)-A-0604	V(T,N)-A-0804
Width (in.)	21	21	21	21	21	21
Depth (in.)	28	28	28	28	28	28
Height (in.)	84	84	84	84	84	84

All dimension in inches

Riser Length	C
9 Foot	8
10 Foot	20



P.O. Box 1390 • Easton, MD 21601 USA  
whalencompany.com

